

Project:

# Suspenders Mini Single Sconce with Suspended Cylinder w/Glass Drum Diffuser Spec Sheet

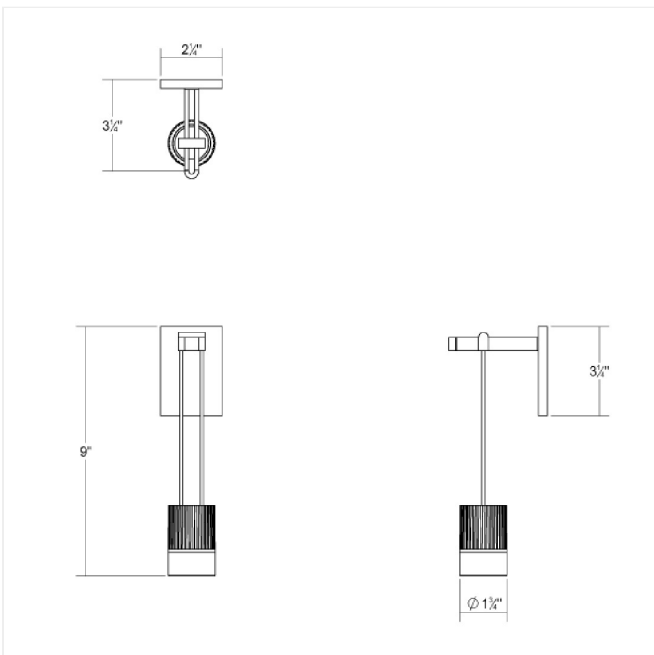
SKU: SLS0220

Suspenders harmoniously integrates functional and decorative luminaires, providing the ability to add focused light or the soft glow of indirect illumination to any application.

Our preconfigured Mini Single Sconce is available in Satin Black. This item follows our Single Sconce configuration. It utilizes 1 Precise Suspended Cylinder luminaire.

Learn more: <https://sonnemanlight.com/suspenders-mini-single-sconce-with-suspended-cylinder-w-2fglass-drum-diffuser>

Type #:



## Dimensions

Height:	9"
Width:	1.75"
Extends:	3.75"
Minimum Extension:	3.75"
Maximum Extension:	3.75"
Canopy/Backplate/Base Width:	2.25"
Canopy/Backplate/Base Depth:	0.25"
Canopy/Backplate/Base Height:	3.25"

## Electrical Specs

Bulb(s) Included?:	Yes
Bulb 1 Type:	Cylinder w/Glass Drum
Bulb Quantity:	1
Input Voltage:	120VAC
Wattage:	5
Initial Lumens:	280
Kelvin:	3000K
CRI:	90
Power Supply Type:	Transformer
Power Supply Quantity:	1
Power Supply Location:	Mini Box
Dimming Type:	ELV
Bulb Max Wattage:	5

## Installation

Installation:	Licensed electrician required, multi-step installation
Installation Orientation:	Vertical

## Shade

Shade Material:	Clear Etched Glass
-----------------	--------------------

## General Listings

Certification:	C-ETL-US
Color/Finish:	Satin Black (.25)

## Available Finishes

Available Finishes:	Satin Black (.25)
---------------------	-------------------

## Available Color Temperatures

Available Color Temperatures:	3000k
-------------------------------	-------