

Project:

# Suspenders Standard Single Sconce with Bar-Mounted Duplex Cylinders w/Flood Lenses Spec Sheet

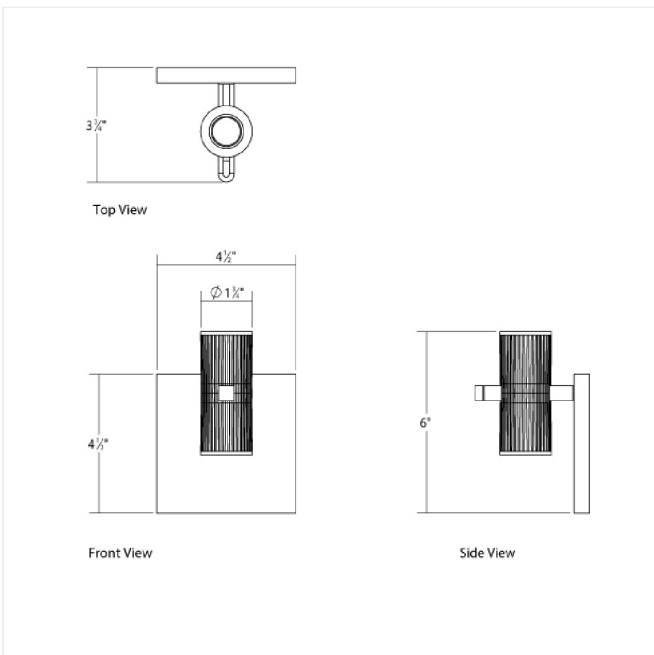
SKU: SLS0216

Bar-Mounted Cylinders attach to the Single Sconce Power Feed, forming a range of functional architectural Suspenders Sconces, and expanding the possibilities for Suspenders Precise.

Our preconfigured Standard Single Sconce is available in Satin Black. This item follows our Single Sconce configuration. It utilizes 1 Precise Duplex Cylinder luminaire.

Learn more: <https://sonnemanlight.com/suspenders-standard-single-sconce-with-bar-mounted-duplex-cylinders-w-2flood-lenses>

Type #:



## Dimensions

Height:	3.75"
Width:	1.75"
Extends:	3.75"
Minimum Extension:	3.75"
Maximum Extension:	3.75"
Canopy/Backplate/Base Width:	4.5
Canopy/Backplate/Base Depth:	0.5
Canopy/Backplate/Base Height:	4.5

## Electrical Specs

Bulb(s) Included?:	Yes
Bulb 1 Type:	Duplex Cylinder w/50° Lens
Bulb Quantity:	1
Input Voltage:	120VAC
Wattage:	9
Initial Lumens:	560
Color Temperature:	3000K
CRI:	90
Power Supply Type:	Transformer
Power Supply Quantity:	1
Power Supply Location:	Outlet Box
Dimming Type:	ELV
Bulb Max Wattage:	9

## Installation

Installation:	Licensed electrician required, multi-step installation
Installation Orientation:	Vertical

## Shade

Shade Material:	Diecast Aluminum
-----------------	------------------

## General Listings

Certification:	C-ETL-US
Color/Finish:	Satin Black (.25)
Dark Sky Friendly:	N

## Available Finishes

Available Finishes:	Satin Black (.25)
---------------------	-------------------

## Available Color Temperatures

Available Color Temperatures:	3000k
-------------------------------	-------