

Project:

Hemisphere Pendant Spec Sheet

SKU: 7505.77

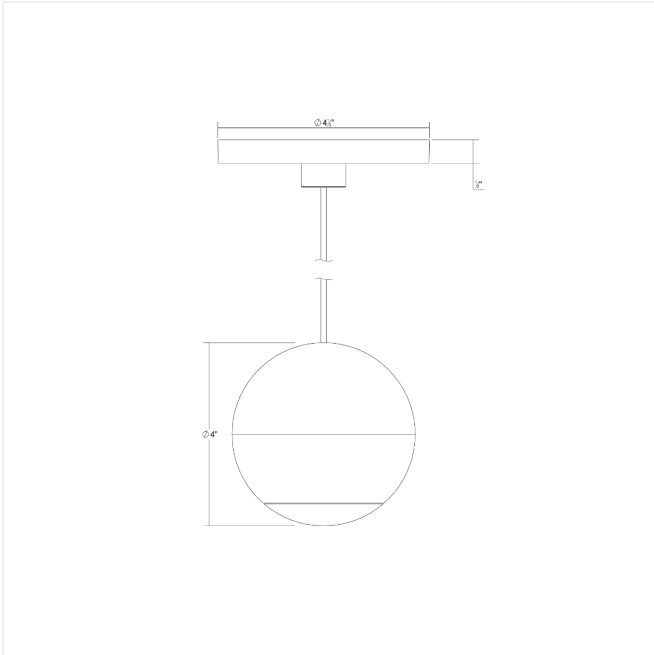
Technically and visually resolved, these lensed LED luminaires, available as pendants, sconces or ceiling mounted fixtures, convey pure, simple geometry.

Scaled for residential, hospitality and commercial settings for an enduring modern presence.

This 2023 release is part of the Hemisphere family, which also includes the [Surface Mount](#) and [Sconce](#).

Learn more: <https://sonnemanlight.com/hemisphere-pendant>

Type #:



Dimensions

Diameter:	4"
Canopy/Backplate/Base:	4.5"
Hanging Details:	20' Adj. Cord
Size:	1-Light
Canopy/Backplate/Base Height:	0.5"

Electrical Specs

Bulb(s) Included?:	Yes
Bulb 1 Type:	Integral LED
Bulb Quantity:	1
Input Voltage:	120-277VAC
Initial Lumens:	750
Color Temperature:	3000K
CRI:	90
Power Supply Type:	Driver
Power Supply Quantity:	1
Power Supply Location:	Outlet Box
Dimming Type:	TRIAC/ELV/0-10V
Bulb Max Wattage:	8

Installation

Installation:	Licensed electrician required
Sloped Ceiling Compatible?:	Compatible
Cord Length:	20' Adj. Cord
Minimum Hanging Height:	5"
Maximum Hanging Height:	240"

Shade

Shade Material:	Acrylic
Shade 1 Color:	Clear

General Listings

Features:	At NYDC, Damp Rated
Certification:	cETL
Color/Finish:	Natural Anodized (.77)
Dark Sky Friendly:	N

Available Finishes

Available Finishes:	Natural Anodized (.77), Textured Black (.97), Textured White (.98)
---------------------	-----------------------------------------------------------------------

Available Color Temperatures

Available Color Temperatures:	3000k
-------------------------------	-------