

Project:

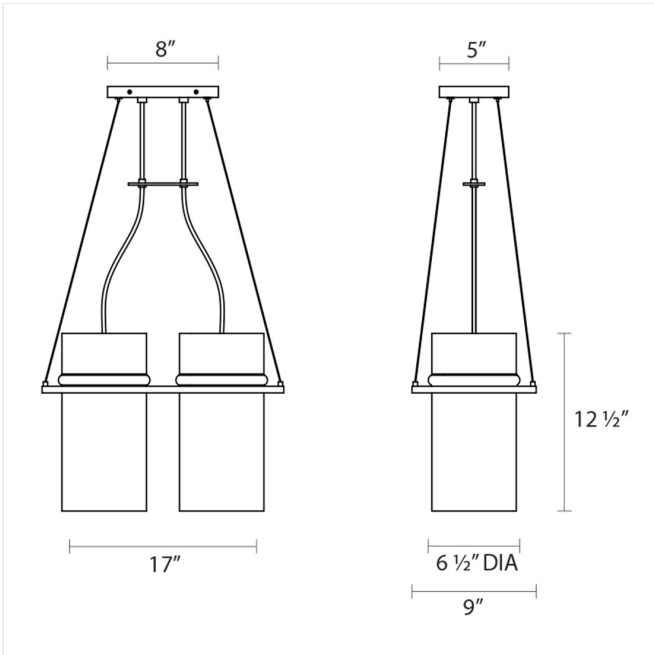
Square Ring Pendant Spec Sheet

SKU: 4762.25

Urban strength combines with delicate elegance: A square frame captures a round ring, glorifying a structural geometry and reconciling cylinders composed in a variety of rectilinear patterns. The industrial edge of the metal structure is in intentional juxtaposition with the pristine quality of the clear glass cylinders.

Learn more: <https://sonnemanlight.com/square-ring-pendant>

Type #:



Dimensions

Height:	12.5"
Width:	17"
Length:	9"
Shape:	Rectangle
Size:	2-Light
Canopy/Backplate/Base Width:	8"
Canopy/Backplate/Base Depth:	5"
Canopy/Backplate/Base Height:	0.5"

Electrical Specs

Bulb 1 Type:	Medium Base
Bulb Quantity:	2
Input Voltage:	120VAC
Wattage:	60
Bulb Max Wattage:	60

Installation

Installation:	Licensed electrician required
Sloped Ceiling Compatible?:	Not Compatible

Shipping

Carton 1 L x W x H:	35" X 16" X 9"
Carton 1 Gross Weight:	12 LBS

Shade

Shade Material:	Glass
-----------------	-------

General Listings

Features:	While Supplies Last
Certification:	C-UL-US
Color/Finish:	Satin Black (.25)
Dark Sky Friendly:	N

Available Finishes

Available Finishes:	Satin Black (.25)
---------------------	-------------------

Available Color Temperatures

Available Color Temperatures:	Bulb Not Included
-------------------------------	-------------------