

Project:

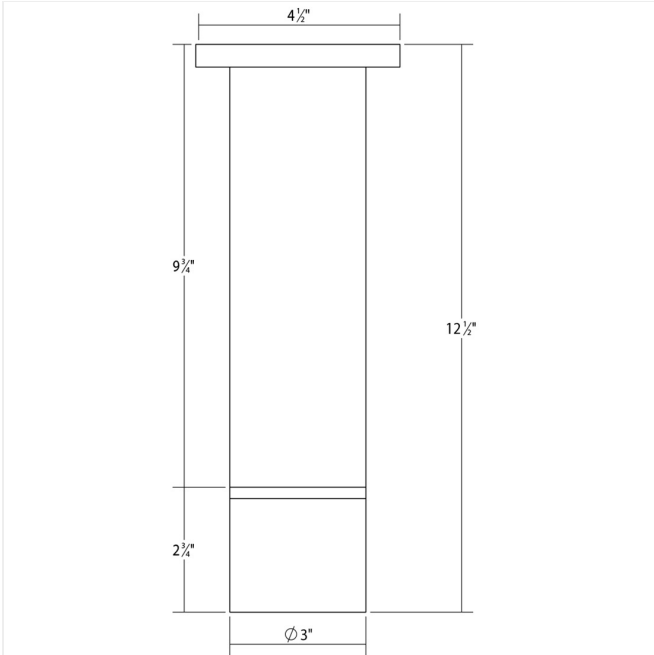
ALC LED Surface Mount Spec Sheet

SKU: 3064.01-GC25

A classic modern architectural lighting form. Architectural Lighting Cylinders are available in asurface mount configuration as well as a [sconce](#) and [pendant](#) in a variety of sizes and finishes, with multiple beam spread options and a number of glass and metal trims.

Learn more: <https://sonnemanlight.com/alc-led-surface-mount>

Type #:



Dimensions

Height:	18"
Diameter:	3"
Canopy/Backplate/Base:	4.5"
Shape:	Etched Glass Trim
Size:	3" Tall
Canopy/Backplate/Base Height:	0.5"

Electrical Specs

Bulb(s) Included?:	Yes
Bulb 1 Type:	Integral LED
Bulb Quantity:	1
Input Voltage:	120VAC
Wattage:	20
Initial Lumens:	2110
Delivered Lumens:	1400
Kelvin:	3000K
CRI:	90
Power Supply Type:	Driver
Power Supply Quantity:	1
Power Supply Location:	Outlet Box
Dimming Type:	TRIAC/ELV
Bulb Max Wattage:	20

Installation

Installation:	Licensed electrician required
---------------	-------------------------------

Shade

Lens Type:	25 Narrow Flood Lens
Shade Material:	Etched Glass

General Listings

Features:	At NYDC, Damp Rated
Certification:	C-ETL-US
Color/Finish:	Polished Chrome (.01)

Available Finishes

Available Finishes:	Polished Chrome w/Clear Ribbon Glass Trim, Polished Chrome w/Etched Glass Trim, Polished Chrome w/Etched Ribbon Glass Trim, Polished Chrome w/Snoot Trim, Satin Black w/Clear Ribbon Glass Trim, Satin Black w/Etched Glass Trim, Satin Nickel w/Etched Ribbon Glass Trim
---------------------	---------------------------------------------------------------------------------------------------------------------------------------------------------------------------------------------------------------------------------------------------------------------------

Available Color Temperatures

Available Color Temperatures:	3000k
-------------------------------	-------