

Project:

Angled Plane LED Sconce Spec Sheet

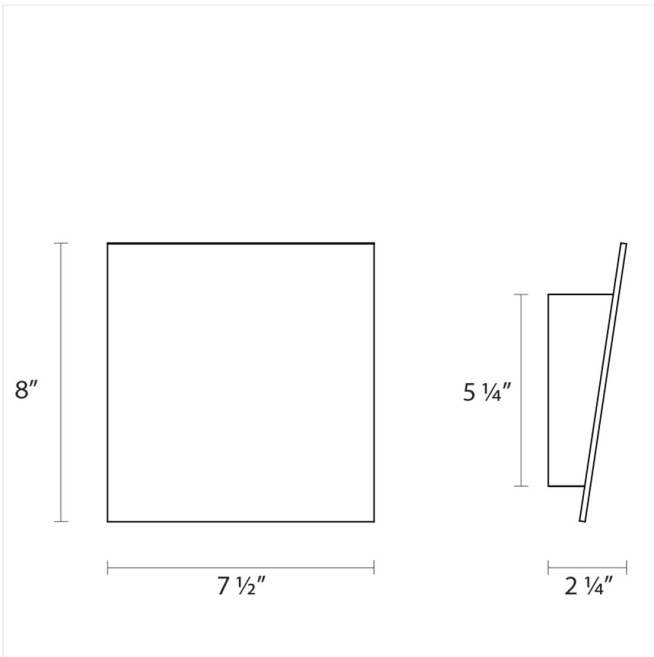
SKU: 2366.98

Impossible to improve on geometry, Angled Plane and its slimmer perfectly poised, rectangular counterpart [Angled Plane Narrow Sconce](#), reflect light on a wall with an upward and downward projection.

This sconce pairs well with the Angled Plane [Downlight Sconce](#) and [Narrow Downlight Sconce](#), which can be installed outdoors.

Learn more: <https://sonnemanlight.com/angled-plane-led-sconce>

Type #:



Dimensions

Height:	8"
Width:	7.5"
Extends:	2.25"
Minimum Extension:	2.25"
Maximum Extension:	2.25"
Canopy/Backplate/Base Depth:	5.5"
Canopy/Backplate/Base Height:	5.25"

Electrical Specs

Bulb(s) Included?:	Yes
Bulb 1 Type:	Integral LED
Input Voltage:	120VAC
Wattage:	20
Initial Lumens:	1350
Delivered Lumens:	814
Kelvin:	3000K
CRI:	80
Power Supply Type:	Transformer
Power Supply Quantity:	1
Power Supply Location:	Canopy
Dimming Type:	ELV
Bulb Max Wattage:	20

Installation

Installation:	Licensed electrician required
Installation Orientation:	Any Orientation

Shipping

Carton 1 L x W x H:	9" X 9" X 4"
Carton 1 Gross Weight:	3 LBS

Shade

Shade Material:	Aluminum
-----------------	----------

General Listings

Features:	At NYDC
Certification:	C-ETL-US
Color/Finish:	Textured White (.98)
Dark Sky Friendly:	N

Available Finishes

Available Finishes:	Textured White (.98)
---------------------	----------------------

Available Color Temperatures

Available Color Temperatures:	3000k
-------------------------------	-------