

Project:

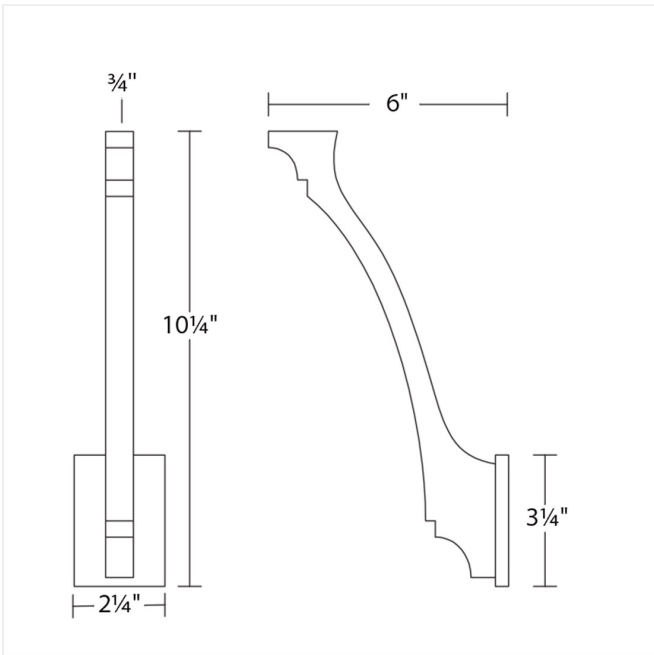
Profili Ogee LED Sconce Spec Sheet

SKU: 1717.98

Imagined by Peter Polick as delicate slivers of classic architectural details, these minimal sections punctuate a space with a nod to the traditional characteristics of decorative ornamentation and a touch of Post-Modernity. LED illumination is reflected from the surface on which the fixture is perched. Also available as a [Profili Chippendale LED Sconce](#) and [Profili Sweep LED Sconce](#).

Learn more: <https://sonnemanlight.com/profil-ogee-led-sconce>

Type #:



Dimensions

Height:	10.75"
Width:	0.75"
Extends:	5.75"
Minimum Extension:	5.75"
Maximum Extension:	5.75"
Canopy/Backplate/Base Width:	2.25"
Canopy/Backplate/Base Height:	3.25"

Electrical Specs

Bulb(s) Included?:	Yes
Bulb 1 Type:	Integral LED
Input Voltage:	120VAC
Wattage:	10
Initial Lumens:	840
Delivered Lumens:	580
Kelvin:	3000K
CRI:	90
Power Supply Type:	Driver
Power Supply Quantity:	1
Power Supply Location:	Outlet Box
Dimming Type:	TRIAC/ELV
Bulb Max Wattage:	10

Installation

Installation:	Licensed electrician required
Installation Orientation:	Vertical

Shipping

Carton 1 L x W x H:	13" X 9" X 5"
Carton 1 Gross Weight:	2 LBS

Shade

Shade Material:	Die-Cast Aluminum
-----------------	-------------------

General Listings

Features:	While Supplies Last
Certification:	C-ETL-US
Color/Finish:	Textured White (.98)
Dark Sky Friendly:	N

Available Finishes

Available Finishes:	Textured White (.98)
---------------------	----------------------

Available Color Temperatures

Available Color Temperatures:	3000k
-------------------------------	-------